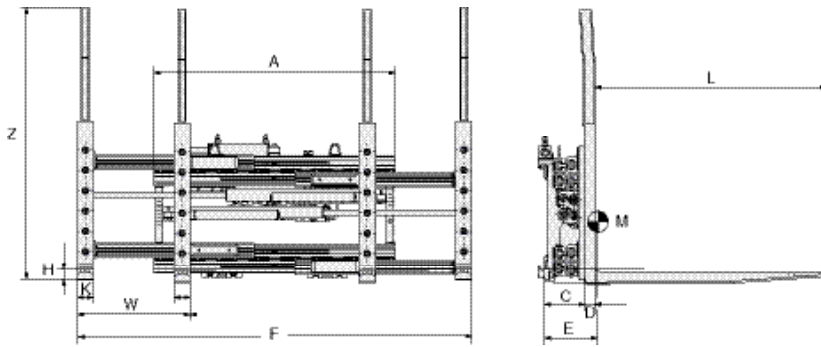




The MEYER Profile Concept combines exceptional robustness and the highest operational flexibility with an optimum of visibility on all levels for a fast and safe handling solution. The intelligent Profile Design allows an easy adjustment of opening ranges and fork spread offering a maximum of flexibility for all applications. The torsion-resistant steel profiles ensure the maximum load stability and continuous safety in operation, particularly when handling oversized load dimensions. A minimised quantity of long-life wearing components support Full Maintenance Operations with minimal Life Cycle Costs. The flexible Dual Mounting Body makes switching between ISO 2328 Mounting Class 2 and 3 Forklift Truck carriages extremely easy for a maximum of flexibility in fleet operations. There are varied design options such as, load stabilisers and special sequence of operations that are available.





**Range:** 2200 - 5000 kg

**Plus:**

- Highest flexibility to suit all application requirements
- Optimum visibility on all sight levels
- Robust Design to suit harduous applications
- Fork centres adjustable anytime
- Easy adjustment of the Opening / Closing settings
- Interchangeable, bolt - on forks with additional heel wear plates which can be retro fitted.
- Dual Mounting Concept, ISO 2 and 3 - easy change-over
- Highly wear-resistant Plastic Inserts, self-lubricating, easy exchange without removing the arms
- With Flow Divider for optimum sequencing of both pairs of forks.
- Available with Pneumatic Springs (fixed Fork Spread) and without (fully variable Fork Spread)
- Separate, constant Side-shift available in all fork positions

Model	Capacity		for FLT capacity max.	Chassis width	Sideshift stroke per side	Opening range	Load guard height	Fork section	Fork spread	Fork length	Fork upright	Lic	Cog horizontal	Cog vertical	Weight	Mounting class
	Q kg	LSP mm														
21PH16D-56SG-2A	1600	600	2,0/600	1120	100	560-1880	1350	80x40	560	1150	40	204	244	281	515	2A
21PH16D-66SG-2A	1600	600	2,0/600	1120	100	660-1980	1350	80x40	610	1150	40	204	244	281	516	2A
21PH16D-56SG-2A	1600	600	2,0/600	1120	100	560-1880	1350	80x30	560	1150	40	204	242	279	500	2A
21PH16D-66SG-2A	1600	600	2,0/600	1120	100	660-1980	1350	80x30	610	1150	40	204	242	279	501	2A
21PH22B-56SG-2A	2200	600	2,5/600	1200	100	560-1960	1350	80x40	560	1150	40	204	242	285	524	2A
21PH22B-66SG-2A	2200	600	2,5/600	1200	100	660-2060	1350	80x40	610	1150	40	204	242	285	524	2A
21PH22C-56SM-2A	2200	600	2,5/600	1300	100	560-2060	1350	80x40	680	1150	40	204	243	257	532	2A
21PH22B-56SG-3A	2200	600	3,0/500	1200	100	560-1960	1350	80x40	560	1150	40	200	236	252	524	3A
21PH22B-66SG-3A	2200	600	3,0/500	1200	100	660-2060	1350	80x40	610	1150	40	200	235	252	526	3A
21PH22B-81SM-3A	2200	600	3,0/500	1200	100	810-2210	1350	80x40	680	1000	40	200	233	251	520	3A
21PH22C-56SM-3A	2200	600	3,0/500	1300	100	560-2060	1350	80x40	680	1150	40	200	232	251	535	3A
21PH26B-56SG-3A	2600	600	3,5/500	1200	100	560-1960	1350	80x50	560	1150	50	200	234	251	563	3A
21PH26B-66SG-3A	2600	600	3,5/500	1200	100	660-2060	1350	80x50	610	1150	50	200	233	251	564	3A
21PH26B-81SM-3A	2600	600	3,5/500	1200	100	810-2210	1350	80x50	680	1000	50	200	232	250	560	3A
21PH26C-56SM-3A	2600	600	3,5/500	1300	100	560-2060	1350	80x50	680	1150	50	200	230	250	580	3A
21PH32B-56SG-3A	3200	600	4,5/500	1200	100	560-1960	1350	80x60	560	1150	60	200	285	269	610	3A
21PH32C-66SG-3A	3200	600	4,5/500	1300	100	660-2060	1350	80x60	610	1150	60	200	280	244	614	3A
21PH32C-56SM-3A	3200	600	4,5/500	1300	100	560-2060	1350	80x60	680	1150	60	200	279	243	617	3A
6-6208KS	3800	600	5,0/500	1200	100	560-1940	1350	80x60	560	1150	60	203	310	356	865	3A
6-6209KS	5000	600	6,0/600	1300	100	560-2040	1350	80x70	560	1150	70	210	240	378	980	4A

**Notes:**

All forks interchangeable.  
 10 mm offset between inner and outer forks.  
 Minimum required carriage width:  
 21PH = 930 mm  
 6-6208K = 1020 mm  
 6-6209K = 1350 mm

**Minimum Oilflow**

Min. - Max. 25 ltr. - 35 ltr. / min  
 Recommended 30 ltr/ min.

**Oil Pressure**

Min. - Max. 10 MPa - 15 MPa  
 recommended 12 MPa

**Hydraulic functions**

including sideshift two

**Fork Spread Adjustment**

**Model 21PH**

SG:  
 With Pneumatic Spring, standard 560 mm, adjustable to 610 mm or 680 mm  
 Type 21PH16 with Pneumatic Spring maximum possible adjustment 610 mm  
 SM:  
 Without Pneumatic Spring, fully variable fork spread

**Model K:**

With Pneumatic Spring, standard 560 mm

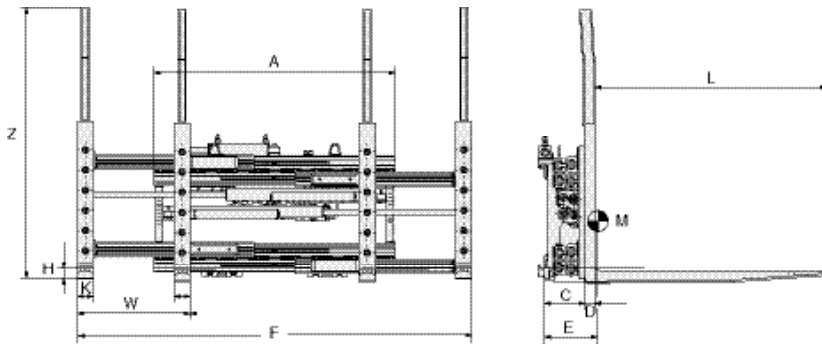
**Options:**

- Quick disconnect lower hooks ISO 2328 2&3
- Dual Mounting Adaptor Kit from ISO 2 to 3 (21 PH only) from ISO 3 to 2 (21 PH only)
- 21PH -Series Heavy duty brass wear pads on upper sideshift
- Heavy duty brass wear pads on lower sideshift (abrasive ambience, e.g glass or cement industry)
- Standard fork length 1150 mm, 1000 or 1200 mm without extra cost
- Alternative forks lengths or sections
- All forks on equal level
- Telescopic forks
- Alternative opening / closing ranges or fork spreads
- Design available without Pneumatic Springs
- Alternative load backrests
- Additional load stabilisers
- 2/1 Pallet Handler with Load Extender

**Range:** 2200 kg - 5000 kg

**Plus:**

- Highest flexibility to suit all application requirements
- Optimum visibility on all sight levels
- Robust Design to suit harduous applications
- Fork centres adjustable anytime
- Easy adjustment of the Opening / Closing settings
- Interchangeable, bolt - on forks with additional heel wear plates which can be retro fitted.
- Dual Mounting Concept, ISO 2 and 3 - easy change-over
- Highly wear-resistant Plastic Inserts, self-lubricating, easy exchange without removing the arms
- With Flow Divider for optimum sequencing of both pairs of forks.
- Available with Pneumatic Springs (fixed Fork Spread) and without (fully variable Fork Spread)
- Without sideshift, for use with an integrally mounted side-shift on the Forklift Truck



Model	Capacity		Load centre for FLT capacity max.	Chassis width	Sideshift stroke per side	Opening range	Load guard height	Fork section	Fork spread	Fork length	Fork upright	Lic	Cog horizontal	Cog vertical	Weight	Mounting class
	Q kg	LSP mm														
21PH16D-56WG-2A	1600	600	2,0/600	1120	-	560-1880	1350	80 x 40	560	1150	40	204	242	281	511	2A
21PH16D-66WG-2A	1600	600	2,0/600	1120	-	660-1980	1350	80 x 40	610	1150	40	204	242	281	512	2A
21PH16D-56WG-2A	1600	600	2,0/600	1120	-	560-1880	1350	80 x 30	560	1150	40	204	240	279	495	2A
21PH16D-66WG-2A	1600	600	2,0/600	1120	-	660-1980	1350	80 x 30	610	1150	40	204	240	279	496	2A
21PH22B-56WG-2A	2200	600	2,5/600	1200	-	560-1960	1350	80x40	560	1150	40	204	240	287	520	2A
21PH22B-66WG-2A	2200	600	2,5/600	1200	-	660-2060	1350	80x40	610	1150	40	204	240	287	520	2A
21PH22C-56WM-2A	2200	600	2,5/600	1300	-	560-2060	1350	80x40	680	1150	40	204	241	259	528	2A
21PH22B-56WG-3A	2200	600	3,0/500	1200	-	560-1960	1350	80x40	560	1150	40	200	236	254	524	3A
21PH22B-66WG-3A	2200	600	3,0/500	1200	-	660-2060	1350	80x40	610	1150	40	200	235	254	526	3A
21PH22B-81WM-3A	2200	600	3,0/500	1200	-	810-2210	1350	80x40	680	1000	40	200	233	253	520	3A
21PH22C-56WM-3A	2200	600	3,0/500	1300	-	560-2060	1350	80x40	680	1150	40	200	232	253	535	3A
21PH26B-56WG-3A	2600	600	3,5/500	1200	-	560-1960	1350	80x50	560	1150	50	200	234	251	559	3A
21PH26B-66WG-3A	2600	600	3,5/500	1200	-	660-2060	1350	80x50	610	1150	50	200	231	249	564	3A
21PH26B-81WM-3A	2600	600	3,5/500	1200	-	810-2210	1350	80x50	680	1000	50	200	230	248	560	3A
21PH26C-56WM-3A	2600	600	3,5/500	1300	-	560-2060	1350	80x50	680	1150	50	200	228	252	586	3A
21PH32B-56WG-3A	3200	600	4,5/500	1200	-	560-1960	1350	80x60	560	1150	60	200	283	271	606	3A
21PH32C-66WG-3A	3200	600	4,5/500	1300	-	660-2060	1350	80x60	610	1150	60	200	278	246	610	3A
21PH32C-56WM-3A	3200	600	4,5/500	1300	-	560-2060	1350	80x60	680	1150	60	200	277	245	613	3A
6-6208KW	3800	600	5,0/500	1200	-	560-1940	1350	80x60	560	1150	60	203	310	356	865	3A
6-6209KW	5000	600	6,0/600	1300	-	560-2040	1350	80x70	560	1150	70	210	240	378	980	4A

**Notes:**

All forks interchangeable.  
 10 mm offset between inner and outer forks.  
 Minimum required carriage width:  
 21PH = 930 mm  
 6-6208K = 1020 mm  
 6-6209K = 1350 mm

**Minimum Oilflow**

Min. - Max. 25 ltr. - 35 ltr. / min  
 Recommended 30 ltr/ min.

**Oil Pressure**

Min. - Max. 10 MPa - 15 MPa  
 recommended 12 MPa

**Hydraulic functions**

without sideshift one

**Fork Spread Adjustment**

**Model 21PH**

WG:  
 With Pneumatic Spring, standard 560 mm, adjustable to 610 mm or 680 mm  
 Type 21PH16 with Pneumatic Spring maximum possible adjustment 610 mm  
 WM:  
 Without Pneumatic Spring, fully variable fork spread

**Model K:**

With Pneumatic Spring, standard 560 mm  
 The MEYER 2/1 Pallet Handler can be fitted to any sideshift already existing on the forklift.

**Options:**

- Quick disconnect lower hooks ISO 2328 2&3
- Dual Mounting Adaptor Kit from ISO 2 to 3 (21 PH only) from ISO 3 to 2 (21 PH only)
- Standard fork length 1150 mm, 1000 or 1200 mm without extra cost
- Alternative forks lengths or sections
- All forks on equal level
- Telescopic forks
- Alternative opening / closing ranges or fork spreads
- Design available without Pneumatic Springs
- Alternative load backrests
- Additional load stabilisers
- 2/1 Pallet Handler with Load Extender

### **Verwaltung / Administration**

MEYER GmbH  
Dr.-Dörnemann-Str. 1  
38259 Salzgitter  
Germany  
Tel. +49 5341 803-0  
Fax +49 5341 803-196

### **Produktionswerk / Production Plant**

MEYER GmbH  
Tillystr. 5  
38259 Salzgitter  
Germany

[www.meyer-world.com](http://www.meyer-world.com)  
[www.hubtischedeutschland.de](http://www.hubtischedeutschland.de)

